

User's Manual

IMPORTANT SAFEGUARDS

1. Read all instructions.
2. Do not touch hot surfaces.
3. Keep a cord & plug away from water & similar liquid to protect against electric shock.
4. Use only on a grounded outlet properly.
5. Unplug from an outlet when not using or before cleaning.
Keep it cool before changing the parts.
6. Do not operate any product with damaged cord & plug.
If the product is malfunctioned or damaged in any manner, return the product to the nearest authorized service facilities for examination, repair, or adjustment.
7. The use of the attached accessory not recommended by the product manufacturer may cause injuries.
8. Do not use at outdoors.
9. Do not let cord hang over the edge of table or counter and touch hot surfaces.
10. The extreme caution must be required when moving a product.
11. Always attach a plug to the product, then plug a cord into the wall outlet.
To disconnect, turn any control to "off", then remove a plug from wall outlet.
12. Do not use appliance for other than instructed use.

GROUNDING INSTRUCTIONS

This product must be grounded. If it has malfunction & breakdown, the grounding provides a path of least resistance for electric current to reduce the risk of electric shock.

This product is equipped with a cord having a product-grounding conductor and a grounding plug. The plug must be plugged into an appropriate outlet that is properly installed and grounded in accordance with all local codes and ordinance.

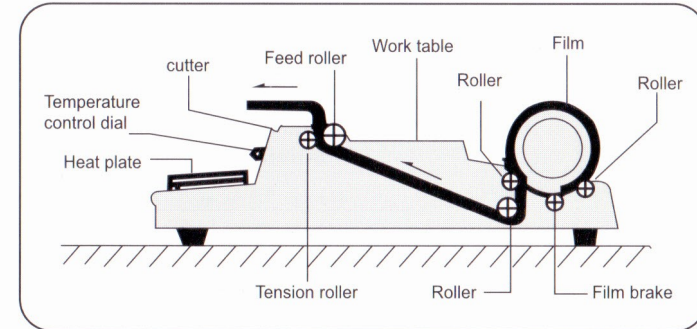
DANGER-Improper connection of the product-grounding conductor can result in a risk of electric shock. Be checked by a qualified electrician or serviceman if you are in doubt as to whether the product is properly grounded.

Do not modify the plug provided with the product if it will not fit the outlet, have a proper outlet installed by a qualified electrician.

 **SAVE THESE INSTRUCTIONS**

1. INSTALLATION

- The product should be installed a little away off from the wall
(See the picture)



- Do not forget to earth in order to prevent from electric shock.
- The machine should be located in a dry place.

2. FEEDING OF FILM

- Put the film on the roller and pull the film in direction of the arrow of the upper picture.

3. ELASTICITY OF FILM

- Adjust the tension bolt located in the back of the right-side so that the film can keep a proper elasticity.

4. POWER

- Before connecting the product to power supply, please check the voltage of the electricity.

5. SWITCH

- Switch on Heating Cutter and Plate.
- Heating Cutter and Plate can be used separately.

6. TEMPERATURE OF HEATING PLATE

- Adjust the temperature with a turning dial according to thickness of film for sealing.

7. OPERATION

- After putting a product on the work table, pull the film and wrap the product wholly.
- Pull the wrapped product properly and cut the film by contacting the cutter.
- After arranging the film of the wrapped product, press it slightly on Heating Plate.

8. MAINTENANCE

- Clean the heating cutter and plate with a cloth to avoid scratching by something sharp because the heating plate is coated with Teflon.
- After using the product, keep the product cool in a safe place and protect it with a cover.